

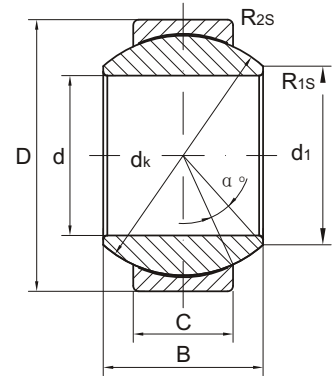
Radial spherical plain bearings GE..UK



向心关节轴承

Maintenance-free 无润滑

- Outer ring pressed around inner ring.
- Outer race lined with CSB-FR PTFE composite material.
- Spherical surface of inner ring hard chrome plated.
- 外圈挤压成型。
- 外圈球面粘贴有CSB-FR PTFE复合材料。
- 内圈球面镀铬。



Part No. 型号	Dimensions 尺寸mm									Load ratings 负荷KN		Weight 重量Kg
	d	D	B	C	d ₁ min	dk	R _{1s} min	R _{2s} min	α ≈	dyn. 动 C _d	stat. 静 C _s	
GE 6 UK	6	14	6	4	8	10	0.3	0.3	13	3.6	9.1	0.004
GE 8 UK	8	16	8	5	10	13	0.3	0.3	15	5.8	14	0.008
GE 10 UK	10	19	9	6	13	16	0.3	0.3	12	8.6	21	0.011
GE 12 UK	12	22	10	7	15	18	0.3	0.3	10	11	28	0.015
GE 15 UK	15	26	12	9	18	22	0.3	0.3	8	18	45	0.027
GE 17 UK	17	30	14	10	20	25	0.3	0.3	10	22	56	0.041
GE 20 UK	20	35	16	12	24	29	0.3	0.3	9	31	78	0.066
GE 25 UK	25	42	20	16	29	35.5	0.6	0.6	7	51	127	0.119
GE 30 UK	30	47	22	18	34	40.7	0.6	0.6	6	65	166	0.163